



RUSSIAN FEDERATION (19) (11) (13) **RU 2731258 C1**

(51) Int. Cl.

H01G 9/145 (2006.01)

H02N 3/00 (2006.01)

H02J 15/00 (2006.01)

FEDERAL SERVICE FOR
INTELLECTUAL PROPERTY

(12) **ABSTRACT OF INVENTION**

(52) CPC

H01G 9/145 (2020.02); **H02N 3/00** (2020.02); **H02J 15/00** (2020.02)

(21)(22) Application: **2019137118, 19.11.2019**

(24) Effective date for property rights:

19.11.2019

Registration date:

31.08.2020

Priority:

(22) Date of filing: **19.11.2019**

(45) Date of publication: **31.08.2020** Bull. № 25

Mail address:

**198152, Sankt-Peterburg, ul. Krasnoutilovskaya,
12, kv. 131, Avetisyanu Armenu Rudikovichu**

(72) Inventor(s):

**Elfimov Pavel Vladimirovich (RU),
Elfimov Vladimir Vladimirovich (RU),
Avetisian Armen Rudikovich (RU)**

(73) Proprietor(s):

**Elfimov Pavel Vladimirovich (RU),
Elfimov Vladimir Vladimirovich (RU),
Avetisian Armen Rudikovich (RU)**

(54) **ENERGY-SAVING DEVICE MODULE FOR GENERATION OF ELECTRIC ENERGY, MANUFACTURING METHOD THEREOF AND ENERGY-SAVING DEVICE**

(57) Abstract:

FIELD: electrical equipment.

SUBSTANCE: invention relates to the electrical equipment. Invention discloses solutions for creation of energy-saving device (ESD) consisting of 4 or 2 (depending on number of phases in electrical network) high-tech modules containing reducing compound with high concentration of quasi-free electrons - emulsion of amine solution of electrons, obtained as a result of solvating metals selected from the first and second groups of the main subgroup of the periodic table (for example, lithium, calcium) and amines selected from the group: pyridine, dimethylformamide, and so forth,

dispersed in a liquid oligomer - dielectric with dielectric permeability from 1 to 3, in molar ratio of metal: amine: dielectric of 1:2:1.5, which enables to initiate pulsating injection of a voltage sinusoid into a network of electrons at introduction into an alternating electromagnetic field, with periodicity equal to frequency of voltage change.

EFFECT: technical result consists in chemical reduction of metal in electric network cable, which causes improvement of its conductive properties and reduced costs for transmission of electric power.

6 cl, 1 tbl, 7 dwg

C1

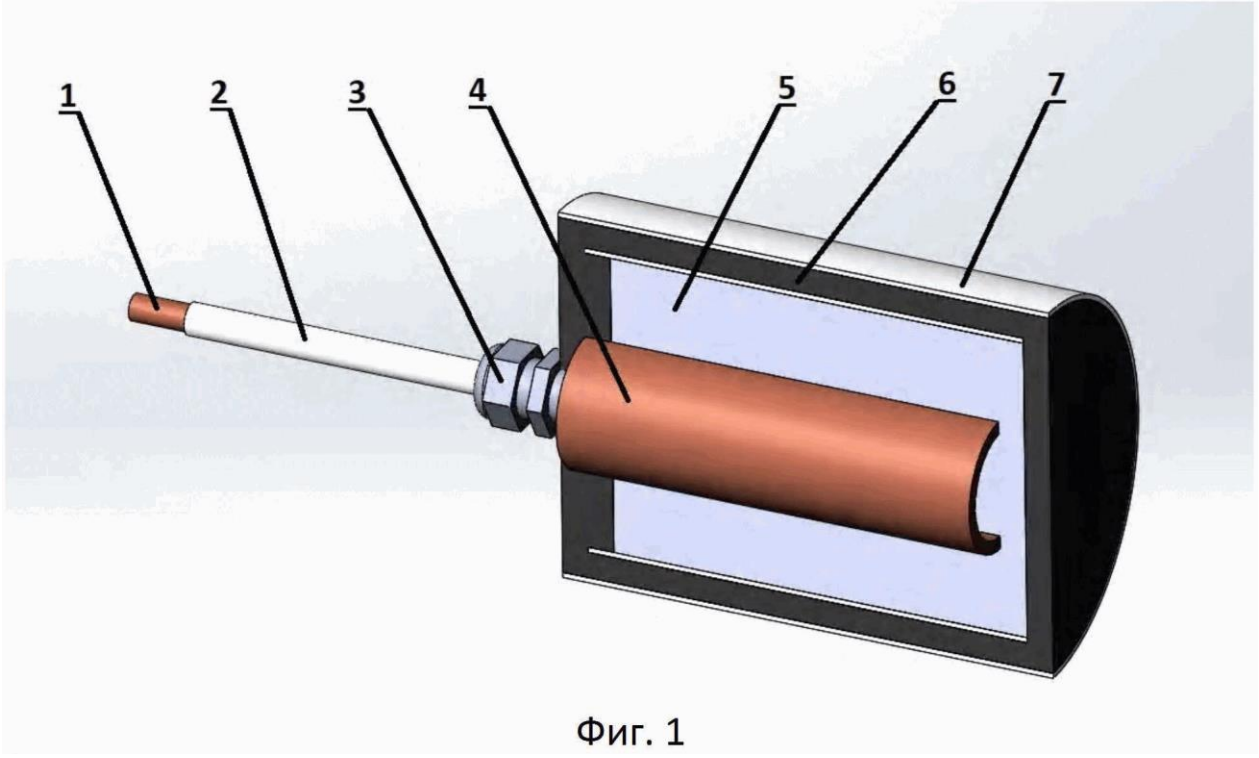
2731258

RU

RU

2731258

C1



Фиг. 1